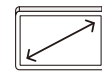
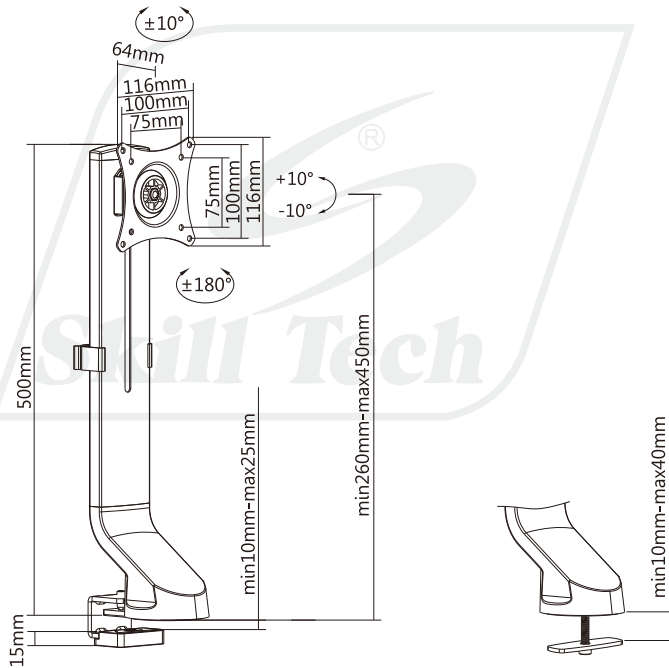


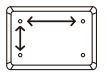
SH21 C01

Articulating Monitor Arm

Fits most 17"-32" monitors



Screen Size
17" ~ 32"



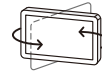
VESA Compatible
75x75 100x100



Screen Rotation
360°



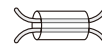
Tilt Range
+10° ~ -10°



Swivel Range
+10° ~ -10°



Weight Capacity
8kg/17.6lbs



Cable Management

**For flat surface
sit-stand workstations**



Detachable VESA Plate
enables easy installation.



Cable Management
keeps everything organized.



Clamp & Grommet Installation
accommodates more users.